

EL-RRX-DU E-link Module

4 Ports Reverse Receiver

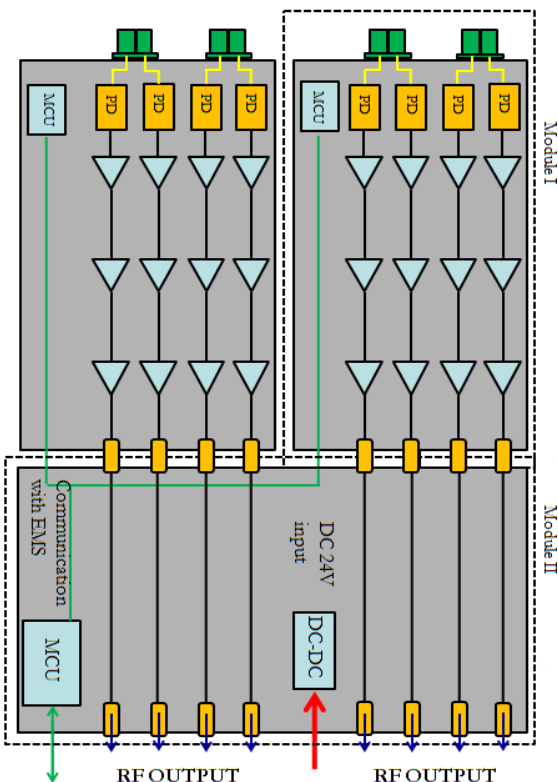
Optical



ELECTROLINE

Description

The EL-RRX-DU is a CATV Return Path Receiver Module with four optical inputs. With its ultra-slim design, 2 modules can fit into one EL-CH slot. This module is compatible with other modules of E-link Electroline series to integrate into the same E-link Chassis and provides a 50% reduction in the number of physical devices needed to greatly save room space. The module has a built in low noise PIN diode and a high output level RF amplifier. The module features four independent RF output ports, which are located on the rear panel of the receiver module, providing up to 45dBmV output level. Monitoring and configuration setting of the receiver module are all achieved via the EL-EMS3 equipment management module.



Features

- Four independent return path receivers in a single module
- Dual four independent return path receivers in one slot wide module
- Compliance with DOCSIS® 3.1
- Bandwidth 5~300MHz
- Hot-swap capability
- 45dBmV output level
- -18dBm to 0dBm input optical power
- Manual attenuation control
- RF output test point
- RF output level adjustment under AGC setting: 0~10dB
- Local and remote software for status monitoring
- Remote firmware upgrade

Technical Specifications:

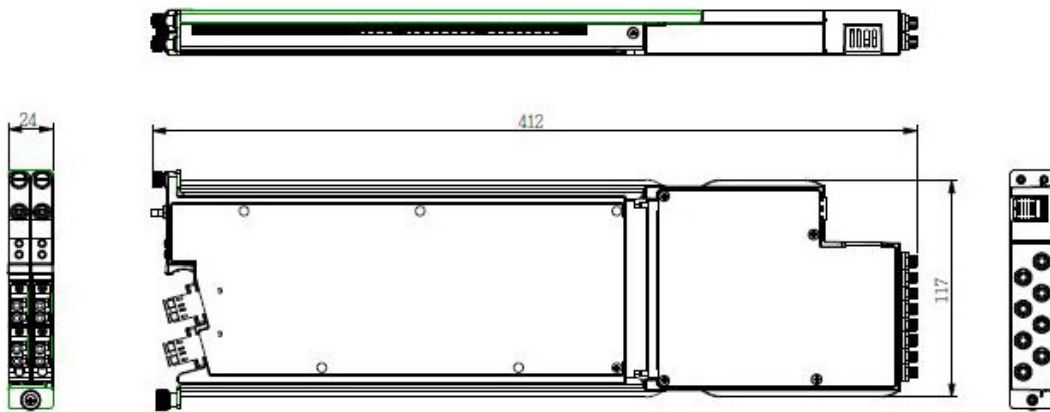
Parameter	Unit	Specification	Note
Optical Performance			
Wavelength	nm	1200-1620	--
Input ports		4	8 if installed in pair
Input power	dBm	-18 to 0	--
Connector		LC/APC	--
RF Performance			
Bandwidth	MHz	5-300	--
Return loss	-dB	≥16	--
Impedance	ohm	75	--
Flatness	dB	+/-0.75	--
EIN	pA/√Hz	< 3	--
Output level	dBmV	≥45	Note 1,2
CNR	dB	≥50	Note 1
IMD2	-dBc	≥55	Note 1,3
IMD3	-dBc	≥60	Note 1,3
Connector	-	F-Female	--
Test point	dB	-20+/-1	--
AGC Range	dBm	-10 ~0	
MGC	dB	0 ~ -20	
Electrical/Physical Performance			
Supply voltage	VDC	24	--
Power consumption	W	<18	Note 4
Dimensions	mm	412D x 24W x 128H	--
Weight	Kg	2.0	--
Operating temperature	°C	0 ~ 50	
Storage temperature	°C	-40 to 70	
Humidity	%	5 ~ 85	non-condensing

Notes:

1. -7dBm optical input, OMI=16%, 0dB attenuation setting
2. -10 ~ 0dBm optical input, OMI=16%, AGC active
3. 45dBmV output, two tone test, f1=13MHz, f2=19MHz
4. Power consumption includes 2 EL-FTX-DU-1310 modules and 1 host module.

Specifications are subject to change without notice.

Dimensions



Ordering Information			
Model Series	Input port	Optical Port	Optical Connector
EL-RRX-DU-	4	4	LA=LC/APC

Important: EL-RRX-DU are sold separately, i.e. not in pair.
 EL-DU HOST (also sold separately) is needed to insert one or two EL-RRX-DU into an EL-CH chassis.
 You can mix 2 different modules in an EL-DU-HOST.
 It is possible to only have 1 module installed in an EL-DU-HOST.

For more information on our products, please visit: www.electroline.com or call: 800-461-3344